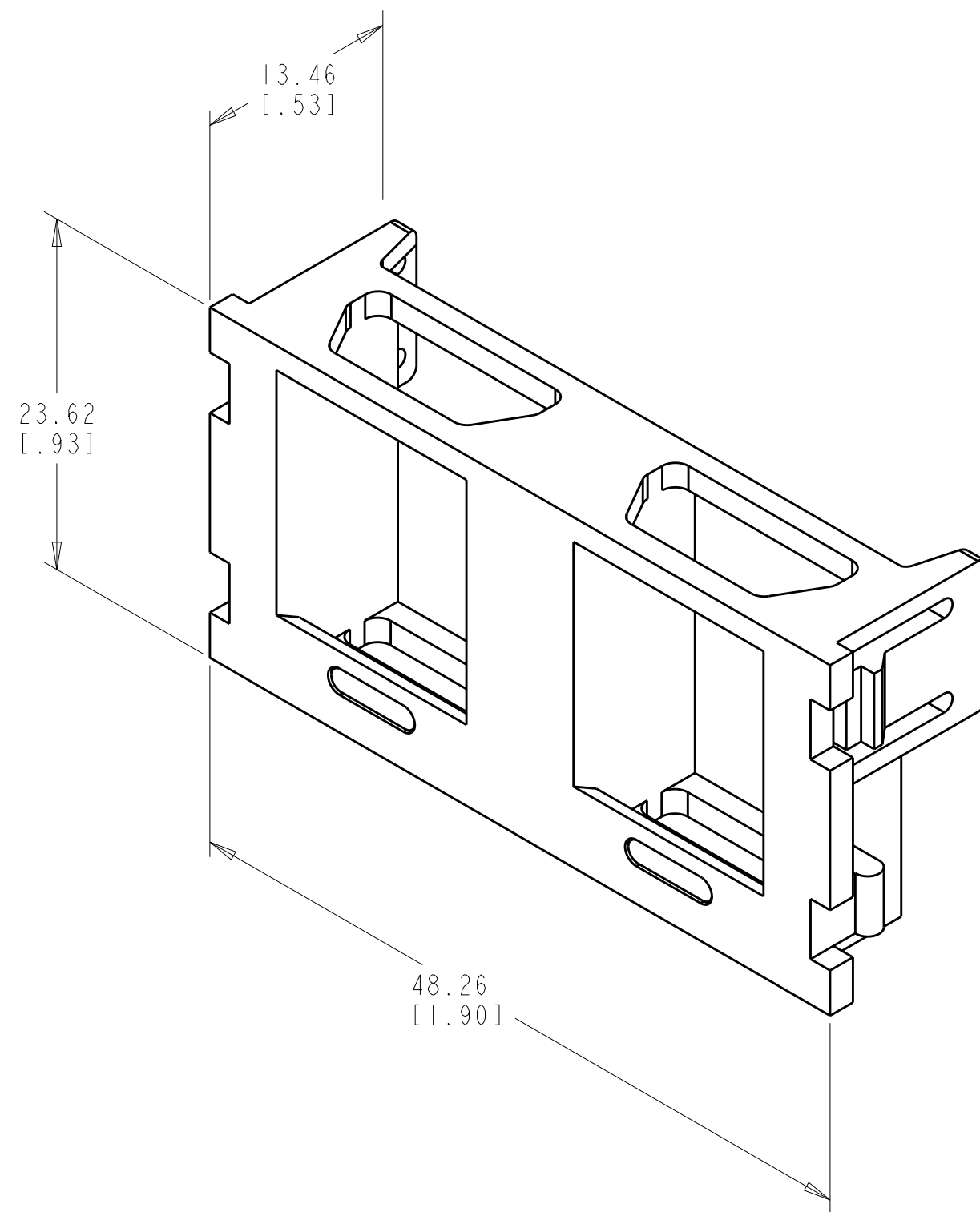




THIS DRAWING IS UNPUBLISHED. RELEASED FOR PUBLICATION
 © COPYRIGHT 20 BY - ALL RIGHTS RESERVED.

REVISIONS				
P	LTR	DESCRIPTION	DATE	APVD
C		REV; EC 0B40-0077-01	30APR01	LH GB
D		REV; ECO-13-019669	16DEC13	JB RA
E		REV; ECO-15-003156	19MAY2015	GG RA



- 1 MATERIAL:
MODULE: ABS MOLDING COMPOUND.
SEE TABLE FOR COLOR.
- 2 DIMENSIONS ARE NOMINAL UNLESS
OTHERWISE SPECIFIED.
- 3. MODULE WILL ACCEPT 110 CONNECT
AND SL SERIES TOOLLESS MODULAR
JACKS AND INSERTS.
- 4. REFER TO INSTRUCTION SHEET 408-8398
FOR INSTALLATION PROCEDURES.

ALPINE WHITE	I-1116409-3
LT ALMOND	1116409-1
COLOR	PART NO

THIS DRAWING IS A CONTROLLED DOCUMENT.		DWN T. PITTS 14SEP99	 TE Connectivity	
DIMENSIONS: mm (INCHES)		CHK R. MARTIN 10NOV99		
TOLERANCES UNLESS OTHERWISE SPECIFIED:		APVD R. MARTIN 09DEC99	NAME MODULE, TWO PORT, 1 UNIT HIGH, SL SERIES	
0 PLC ±		PRODUCT SPEC	-	
1 PLC ±		APPLICATION SPEC	-	
2 PLC ±		WEIGHT	-	
3 PLC ±		FINISH	-	
4 PLC ±		SIZE A2 CAGE CODE - DRAWING NO C-1116409 RESTRICTED TO -		
ANGLES ±		CUSTOMER DRAWING SCALE 3:1 SHEET 1 OF 1 REV E		